

WARNING

To avoid the risk of fire or electric shock, this product should be installed, inspected, and maintained by a qualified electrician only. Installation should be completed by an individual familiar with the construction and operation of the luminaire. Installation of luminaire must be in accordance with national and local building and electrical codes.

Safety Warning:

- To avoid electric shock: Be certain electrical power is OFF before and during installation and maintenance. Luminaire must be supplied by a wiring system with an equipment grounding conductor.
- To avoid burning hands: Make sure lens and housing are cool when performing maintenance.
- To avoid product degradation: Make sure the wire supply voltage is the same as the luminaire supply.

Use proper supply wiring as specified on the luminaire nameplate.

Avoid use in environments containing sulfur, chlorine, or other halides, methyl acetate or ethyl acetate, cyanoacrylates, glycolethers, formaldehyde or butadiene.

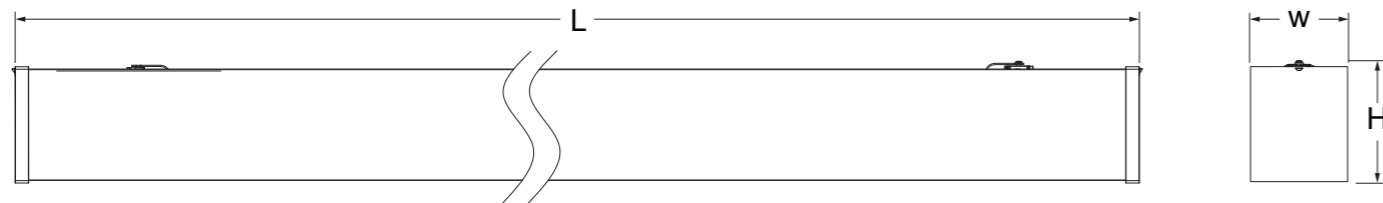
Notes:

- Instructions do not cover all details and all possible product configurations. Do not restrict luminaire ventilation.
- Ensure LED luminaire is not covered with material that will prevent convection or conduction cooling.
- Ensure LED luminaire has the correct polarity before installation.
- Avoid exposing wiring to metal edges and sharp objects.

Maintenance:

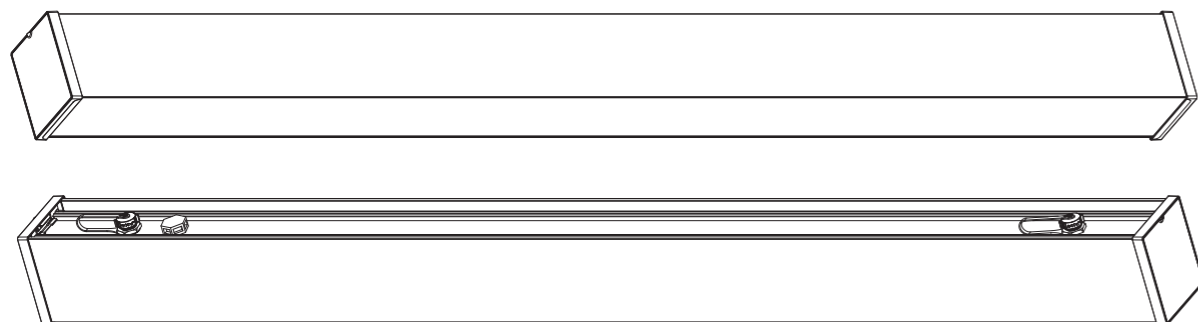
Perform visual, electrical, and mechanical inspections on a regular basis. The environment and frequency of use should determine this. However, it is recommended that checks be made at least once a year. Electrically check to make sure that all connections are clean and tight. Mechanically check that all parts are properly assembled.

MULTIPLE FIXTURES INSTALLATION

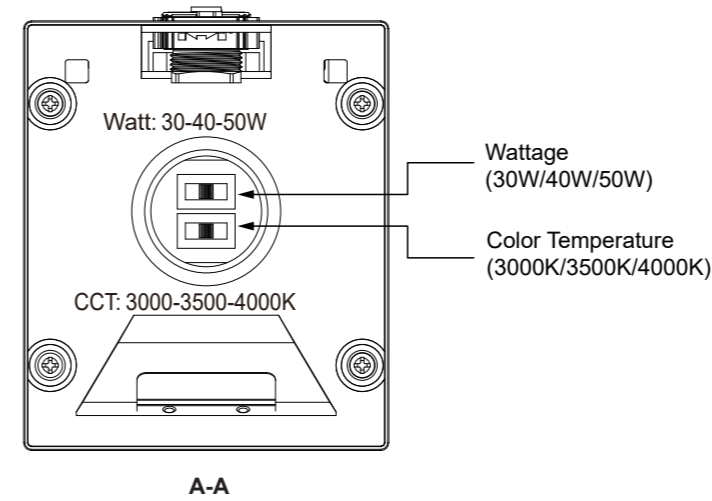


SIZE	L	W	H
4FT	47.83"(1215mm)	3.15"(80mm)	3.70"(94mm)

Luminaire Profile

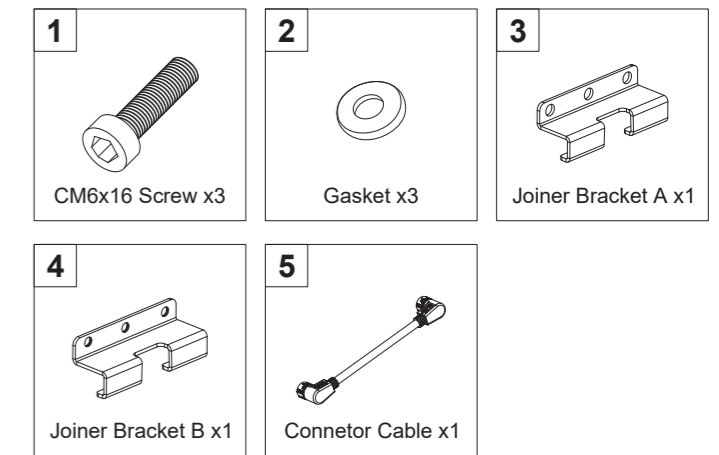


CCT and Wattage Adjustment

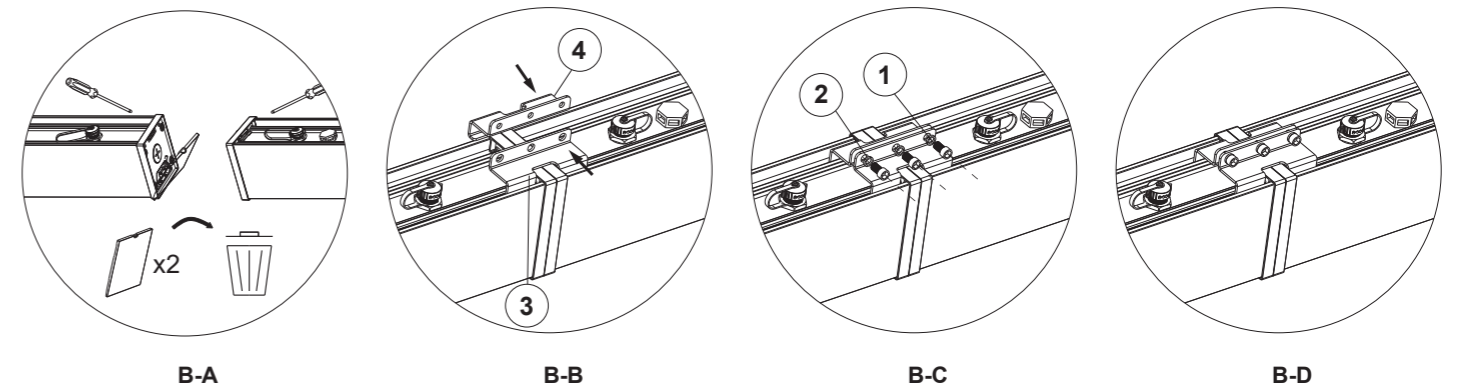


Adjust the color temperature and wattage to the desired settings. (A-A)

Mounting Accessories

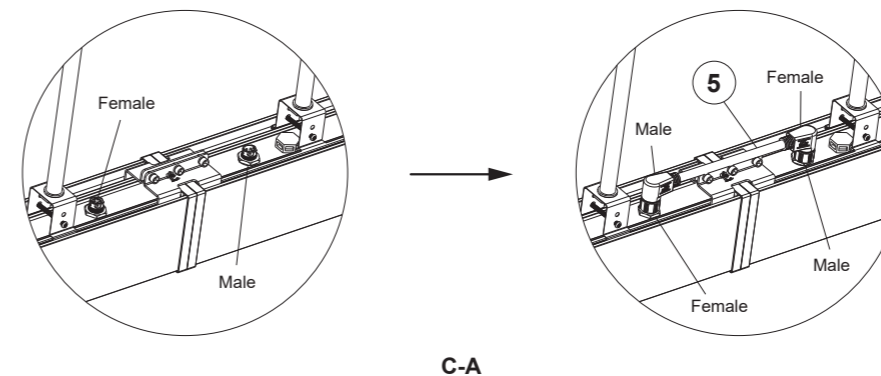


Fixture Connection



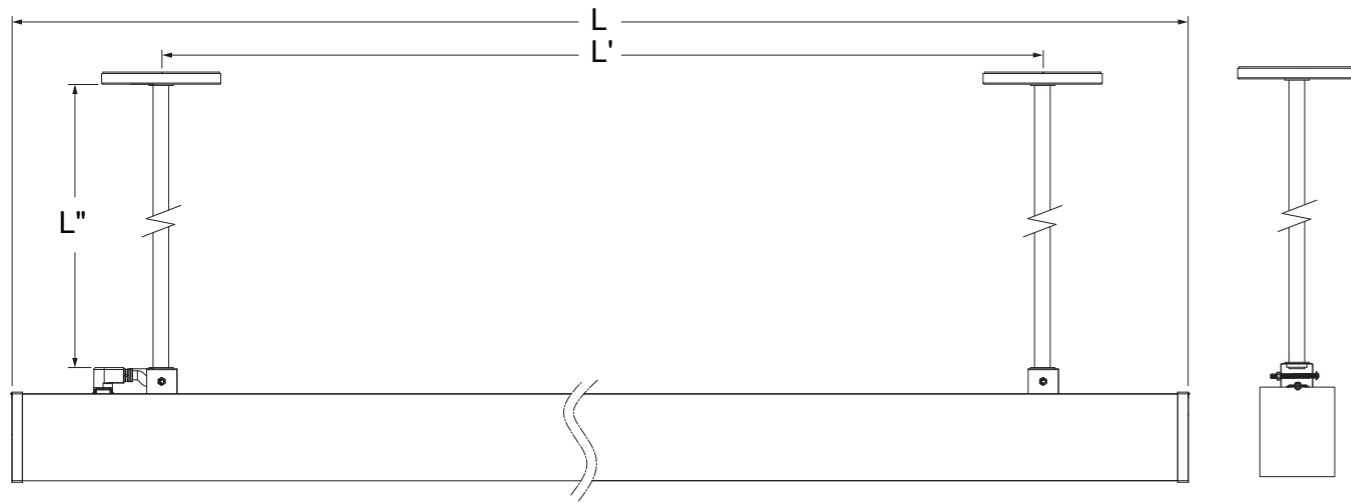
1. Remove the endcaps of the luminaires with a screwdriver. (B-A)
2. Push the joiner brackets straight into the luminaire body. (B-B)
3. Secure the two joiner brackets to each other with the gaskets and screws. (B-C)
4. See the installation completion diagram above. (B-D)

Electrical Connection



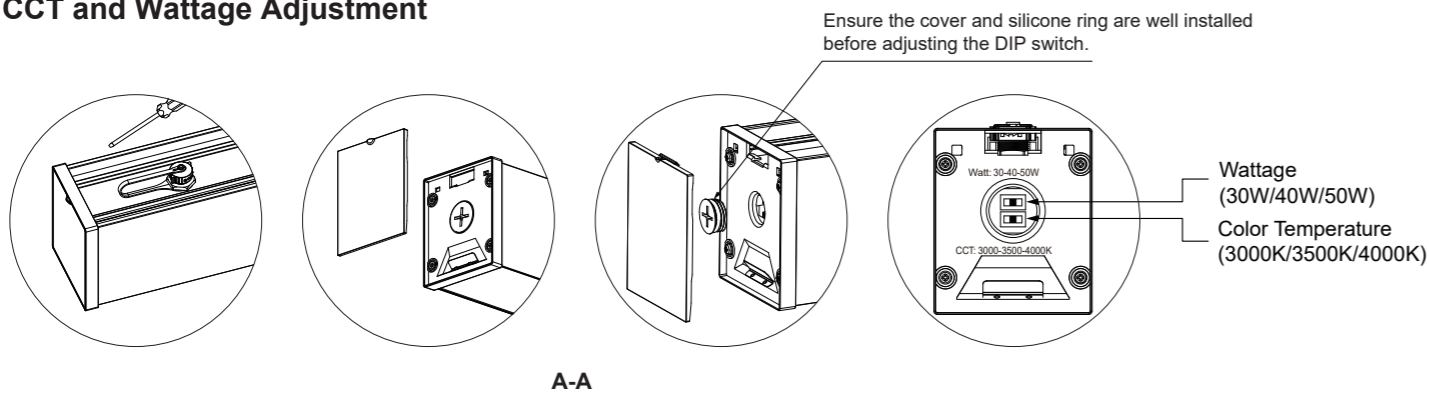
Connect the cable to the spliced fixture. Ensure proper connection of both ends as illustrated: male connector to female socket and female connector to male socket. (C-A)

PENDANT MOUNT INSTALLATION



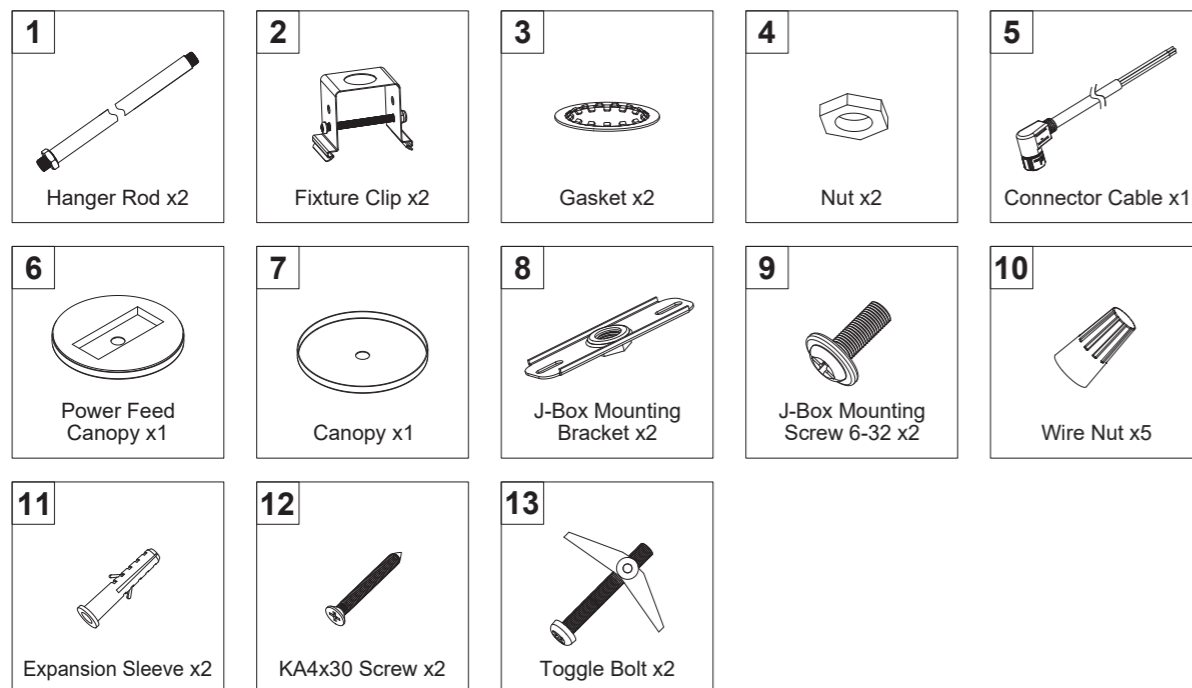
SIZE	L	W	H
4FT	47.83"(1215mm)	3.15"(80mm)	3.70"(94mm)

CCT and Wattage Adjustment

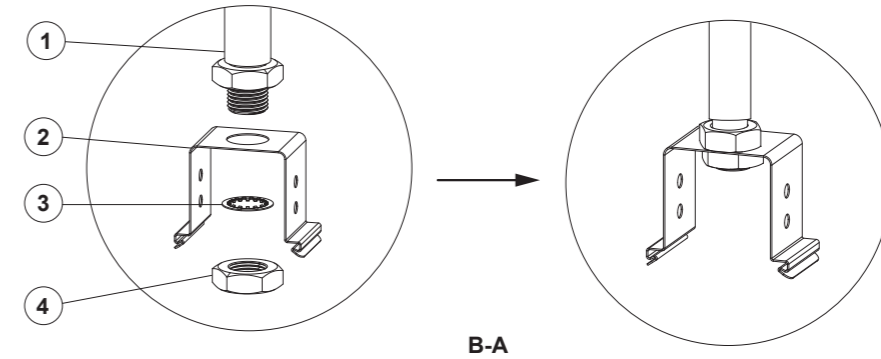


Adjust the color temperature and wattage to the desired settings. (A-A)

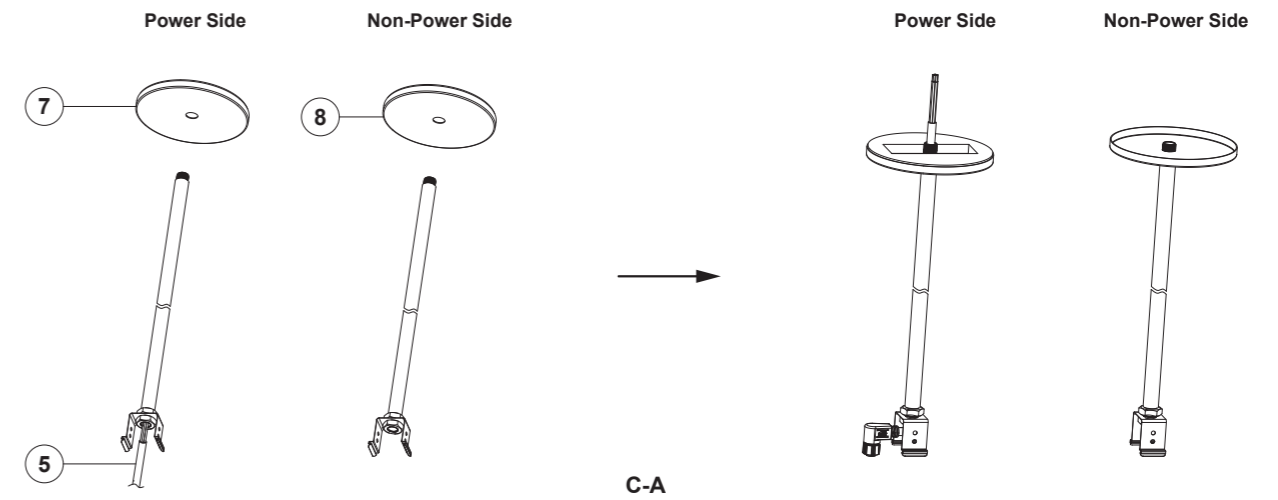
Mounting Accessories



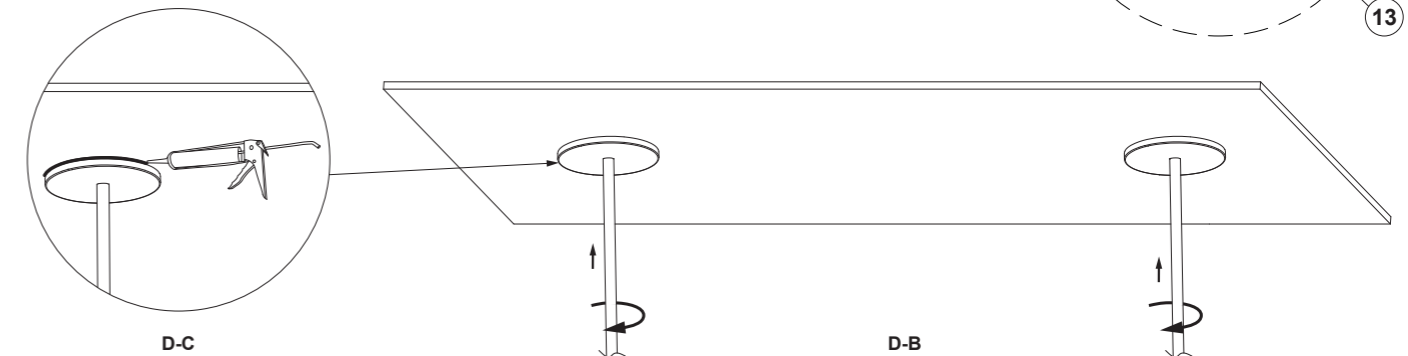
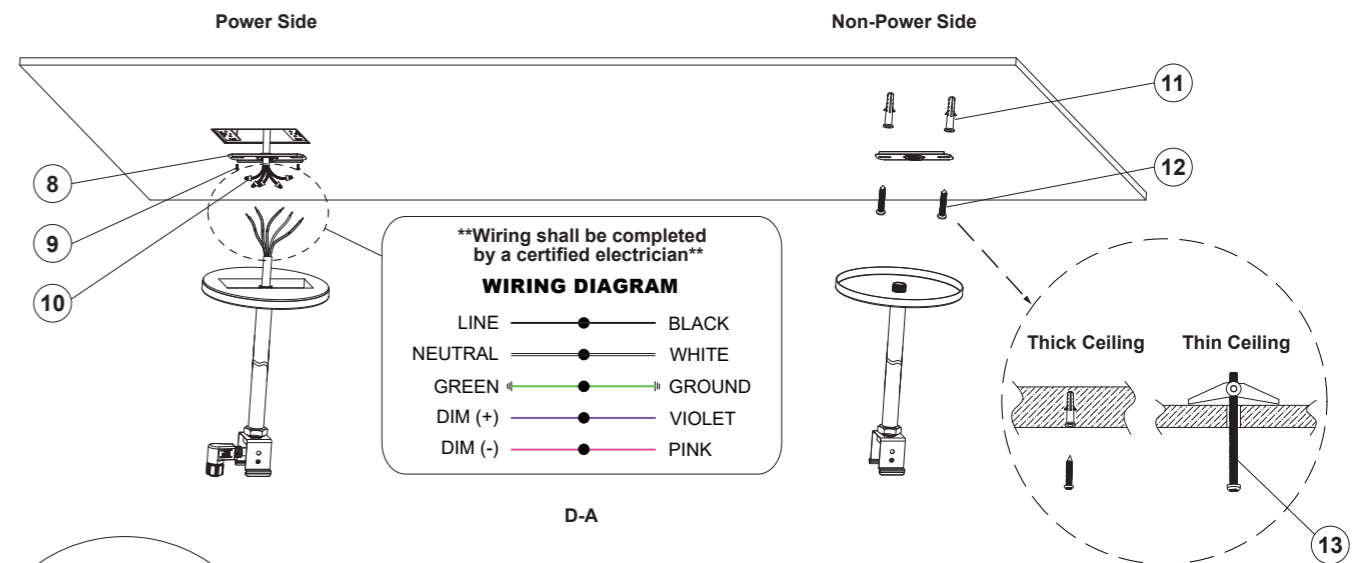
Mounting Procedures



1. Feed the rod through the clip, then tighten them together preliminarily with the gasket and nut. (B-A)



2. Route the cable feeding an appropriate length through the center of the rod. (C-A)

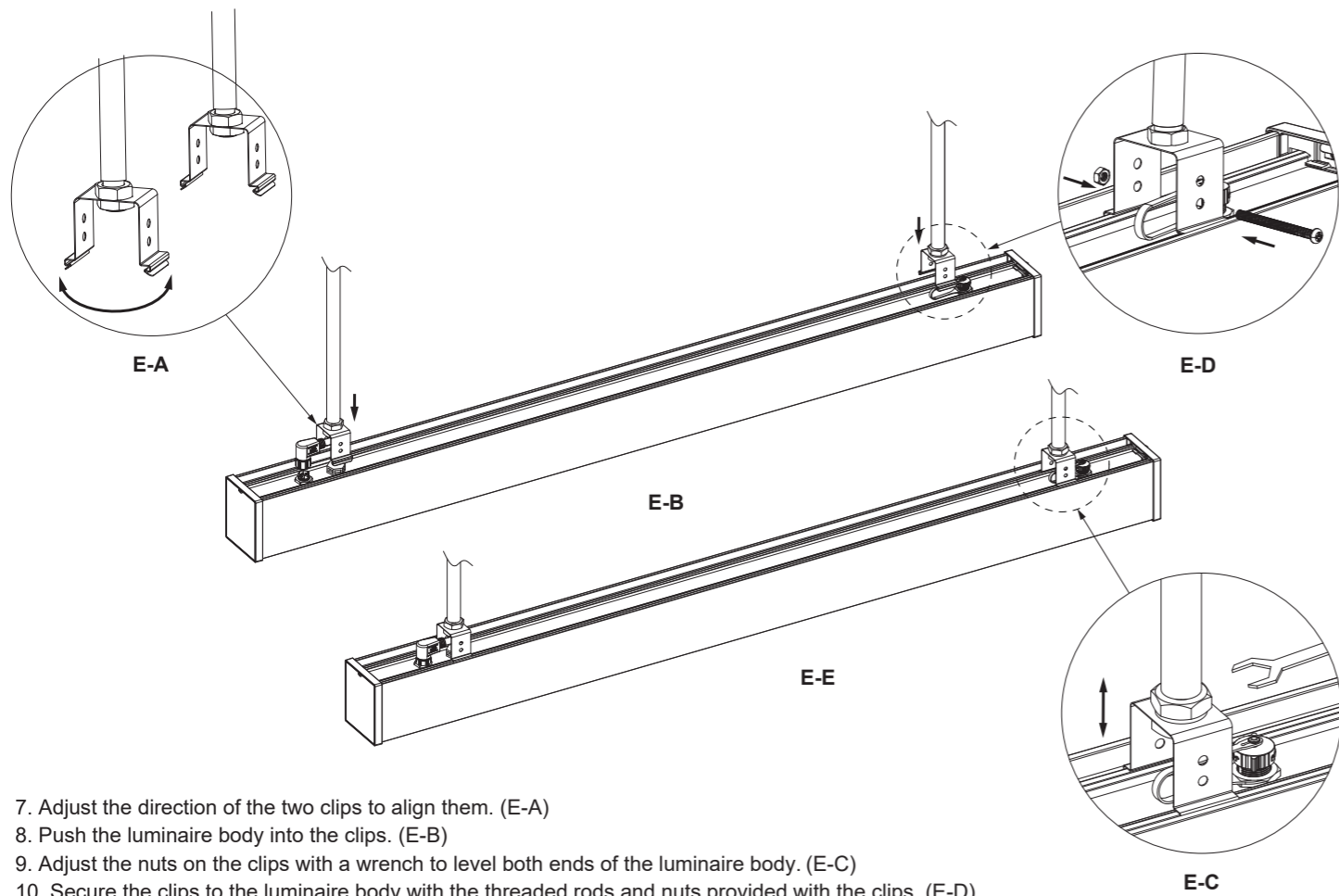


3. Secure the mounting brackets to the ceiling junction box using 6-32 screws, with one bracket at each end and their sides facing opposite directions.

4. Connect the luminaire wires according to the wiring diagram. (D-A)

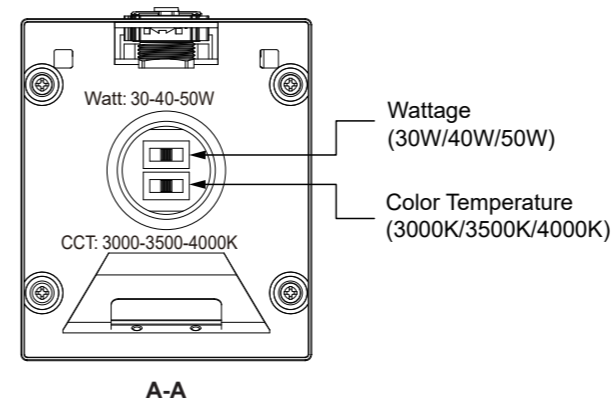
5. Screw the hanger rods (with canopies sleeved over them) into the threads at the center of the mounting brackets. (D-B)

6. Apply waterproof sealant around the power feed canopy. (D-C)



7. Adjust the direction of the two clips to align them. (E-A)
8. Push the luminaire body into the clips. (E-B)
9. Adjust the nuts on the clips with a wrench to level both ends of the luminaire body. (E-C)
10. Secure the clips to the luminaire body with the threaded rods and nuts provided with the clips. (E-D)
11. Fully plug the female connector of the cable into the male socket on the luminaire body. (E-E)

CCT and Wattage Adjustment

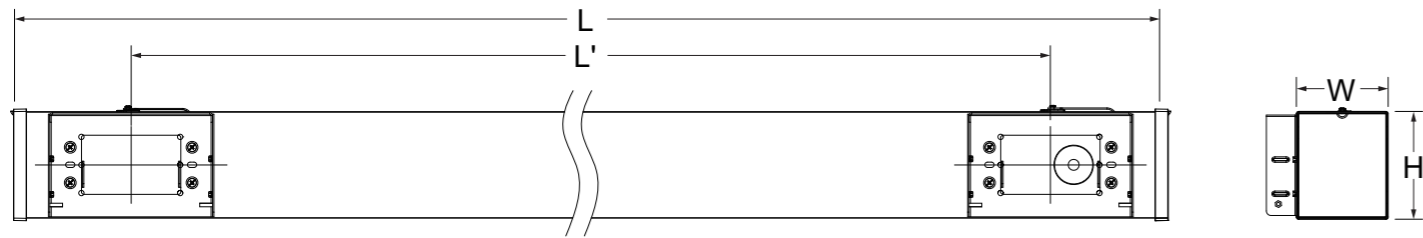


Adjust the color temperature and wattage to the desired settings. (A-A)

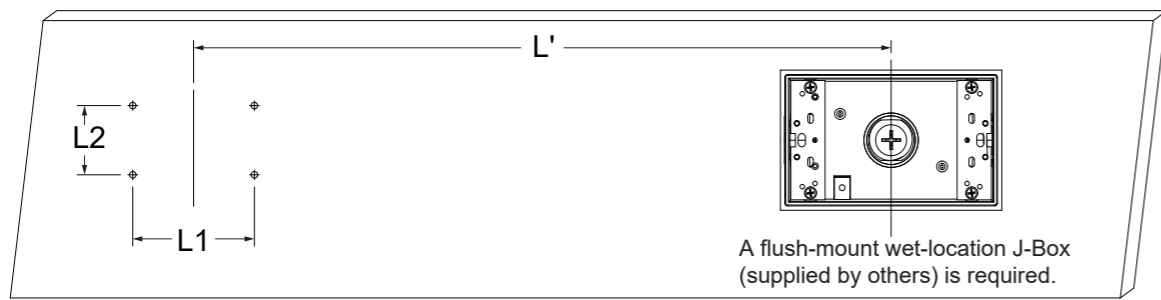
Mounting Accessories

1 Wall-Mounting Bracket B x2	2 Wall-Mounting Bracket C x1	3 Silicone Plug x2
4 6-32 Screw x4	5 Expansion Sleeve x4	6 KA4x30 Screw x4
7 Wire Nut x5	8 PWM3x6 Screw x4	9 PWM4x8 Screw x4
10 Power Cord x1	11 PWM4x6 Screw x8	12 Wall-Mounting Bracket A x2
13 2P Terminal Block x1	14 3P Terminal Block x1	

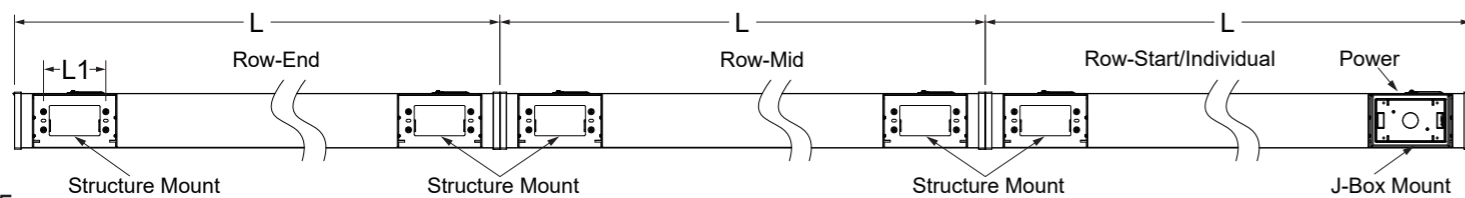
WALL MOUNT INSTALLATION



SIZE	L	W	H
4FT	47.83"(1215mm)	3.15"(80mm)	3.70"(94mm)



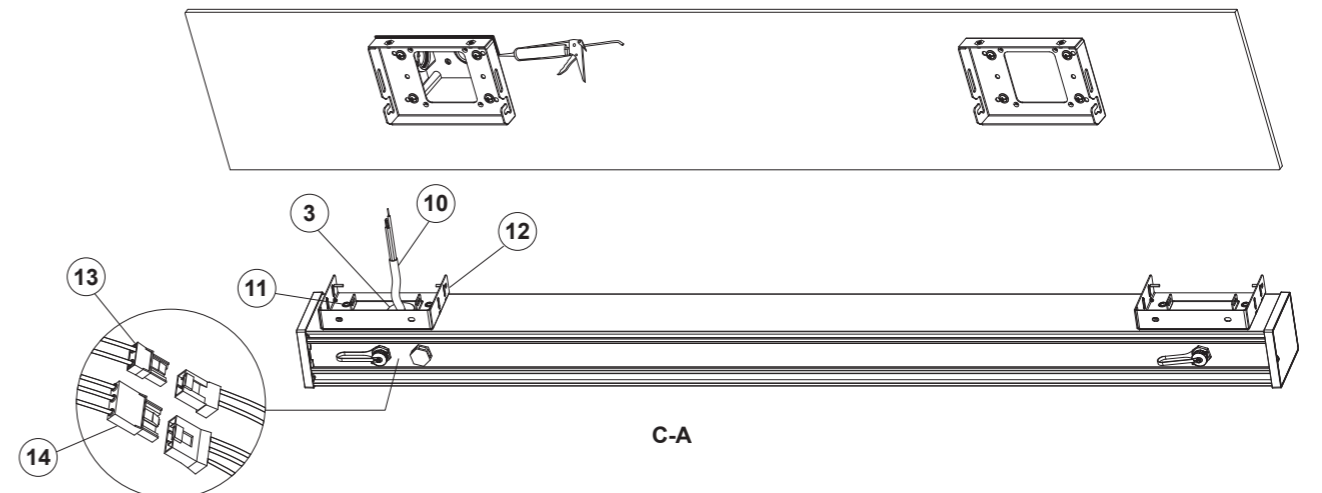
Rough-in Structure and Power



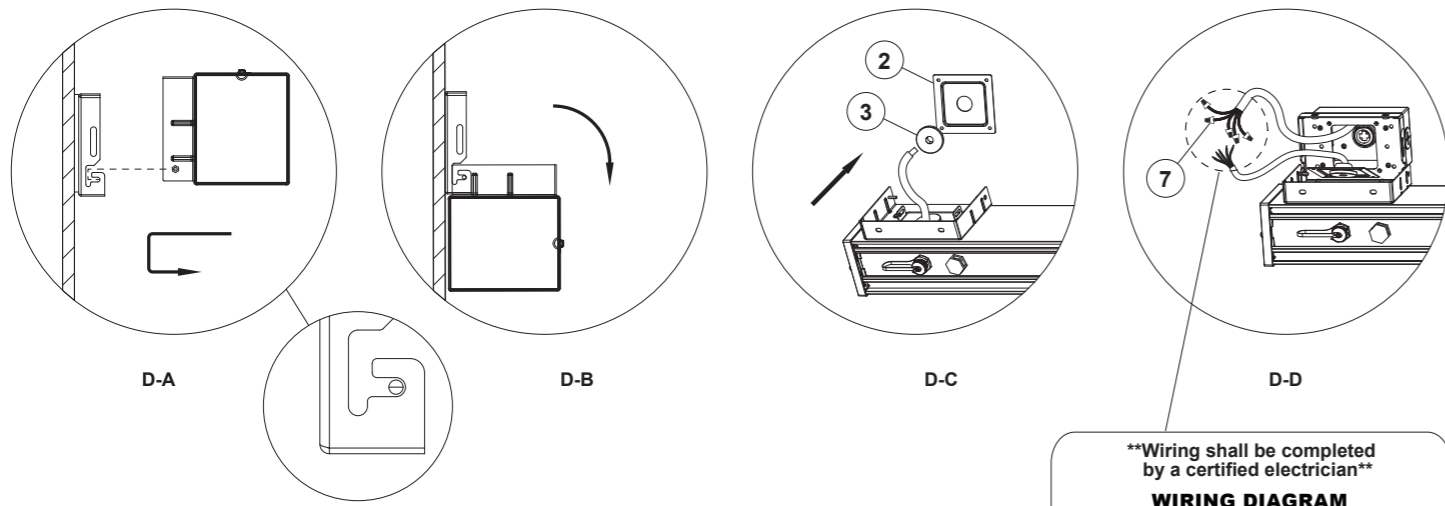
Mounting Procedures



1. Mount bracket B on the power side at the appropriate location using 6-32 screws fitted with silicone O-rings.
2. Mount the second bracket B on the non-power side with the expansion anchors. (B-A)



3. Apply waterproof sealant around bracket B on the power side. (C-A)

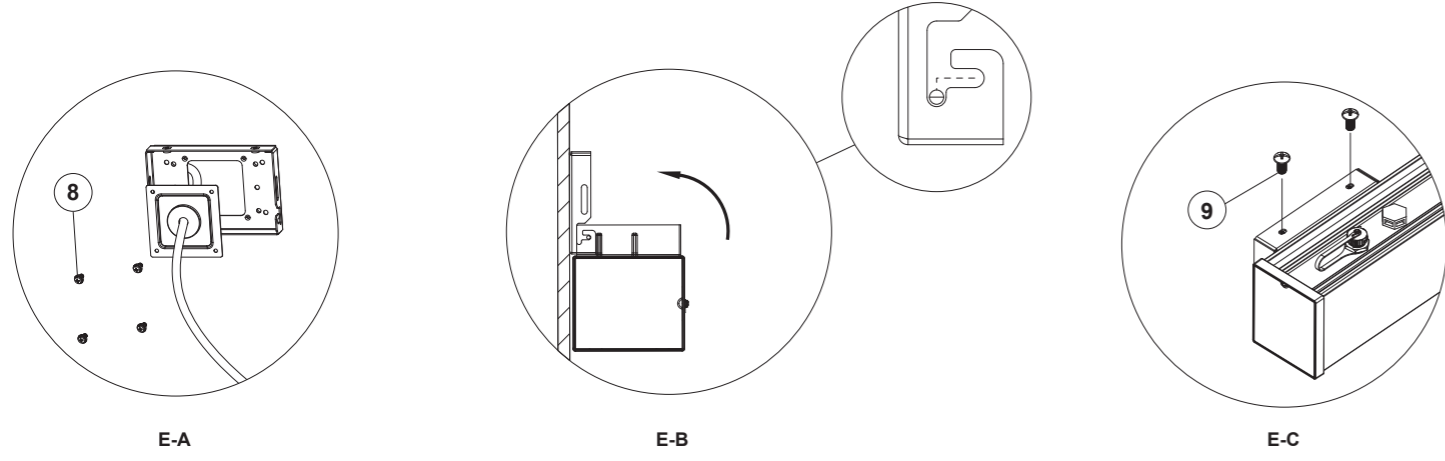


- Place the luminaire body into mounting brackets B. (D-A)
Then, rotate and fasten it onto the wall. (D-B)
- Insert the silicone plug into the hole on bracket C. Then, feed the power cord through the plug. (To ease threading, wrap the power cord end with tape.) (D-C)
- Connect the wires according to the wiring diagram. (D-D)

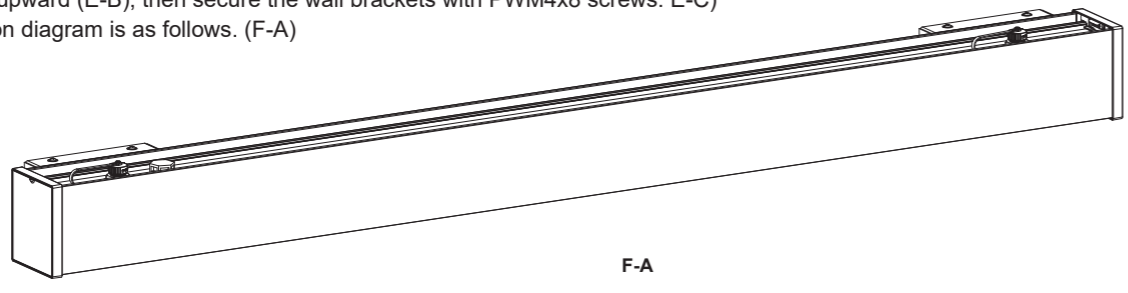
****Wiring shall be completed by a certified electrician****

WIRING DIAGRAM

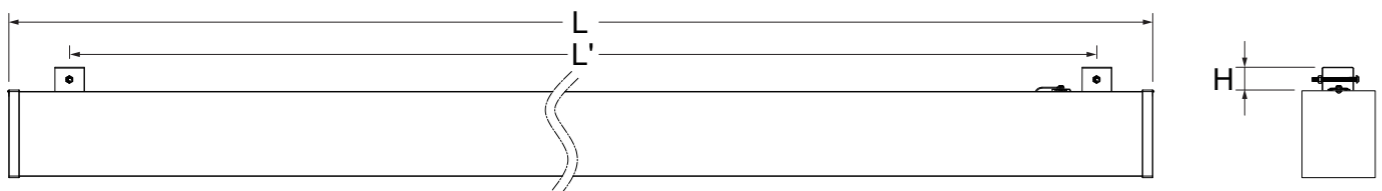
LINE	—●—	BLACK
NEUTRAL	—●—	WHITE
GREEN	—●—	GROUND
DIM (+)	—●—	VIOLET
DIM (-)	—●—	PINK



- Secure mounting brackets C to B using PWM3x6 screws fitted with O-rings. (E-A)
- Push the luminaire body upward (E-B), then secure the wall brackets with PWM4x8 screws. (E-C)
- The installation completion diagram is as follows. (F-A)

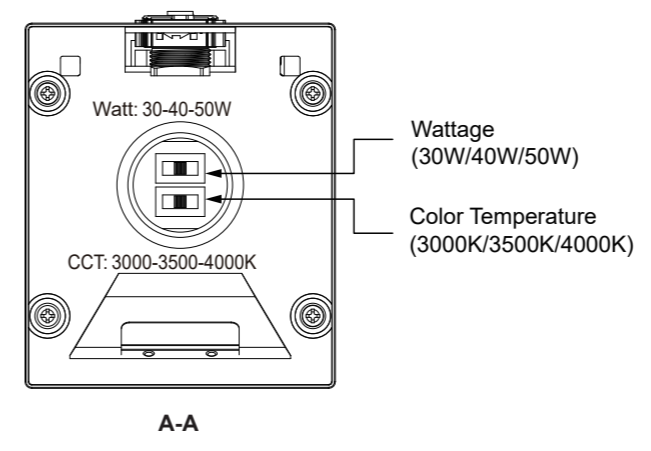


SURFACE MOUNT INSTALLATION



SIZE	L	W	H
4FT	47.83"(1215mm)	3.15"(80mm)	3.70"(94mm)

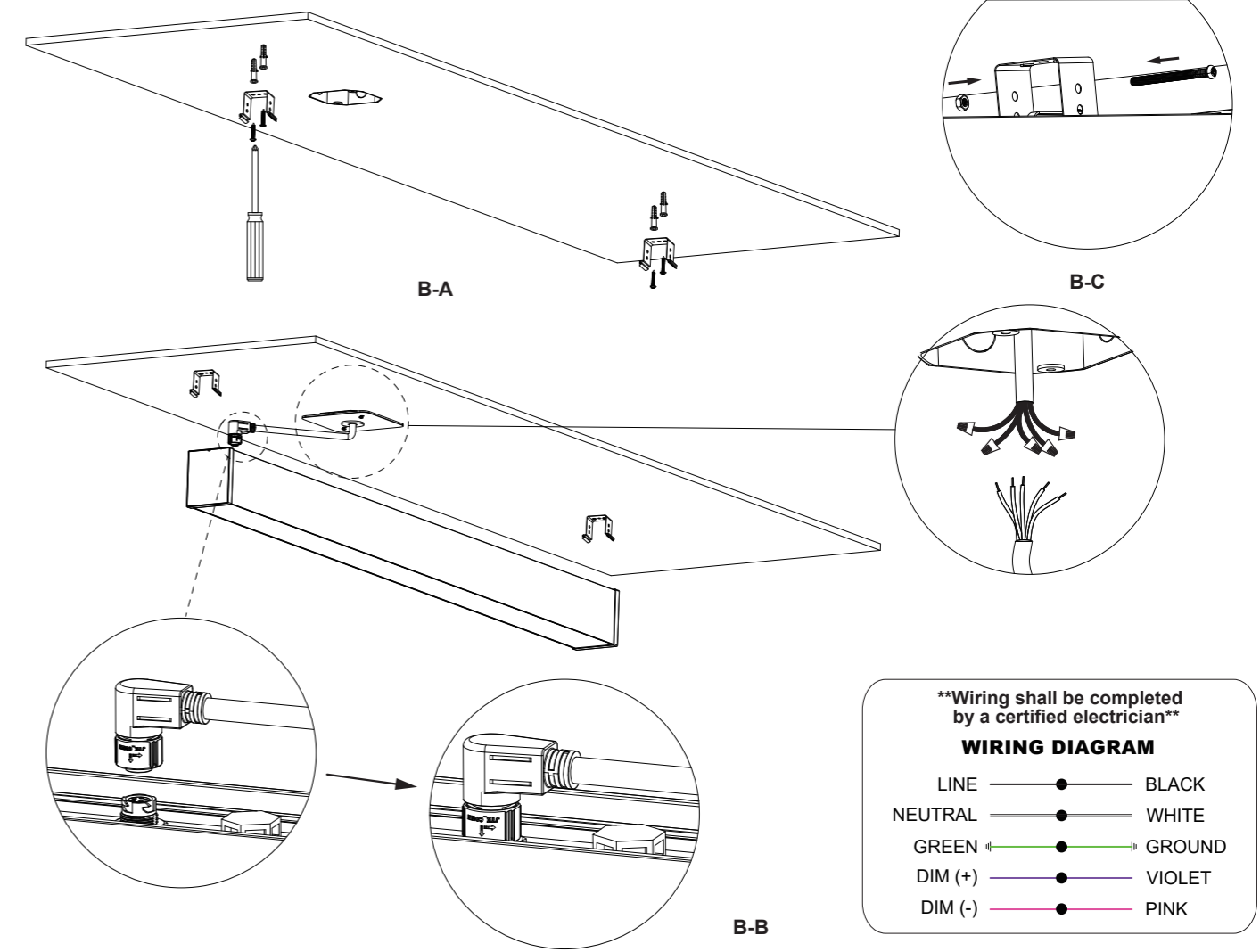
CCT and Wattage Adjustment



Mounting Accessories

1 Ceiling Clip x2	2 Expansion Sleeve x4	3 KA4x30 Screw x4
4 Connector Cable x1	5 Wire Nut x5	6 Toggle Bolt x4

Mounting Procedures



****Wiring shall be completed by a certified electrician****

WIRING DIAGRAM

LINE	—●—	BLACK
NEUTRAL	—●—	WHITE
GREEN	—●—	GROUND
DIM (+)	—●—	VIOLET
DIM (-)	—●—	PINK

- Adjust the color temperature and wattage to the desired settings. (A-A)
- Secure the clips to the ceiling with the expansion anchors (for thick ceilings) or toggle bolts (for thin ceilings). (B-A)
- After the wires are properly connected, snap the luminaire body into the clips. (B-B)
- Secure the clips with the threaded rods and nuts. (B-C)
- The installation completion diagram is as follows. (C-A)

